

# 温度开关

Temperature  
switch

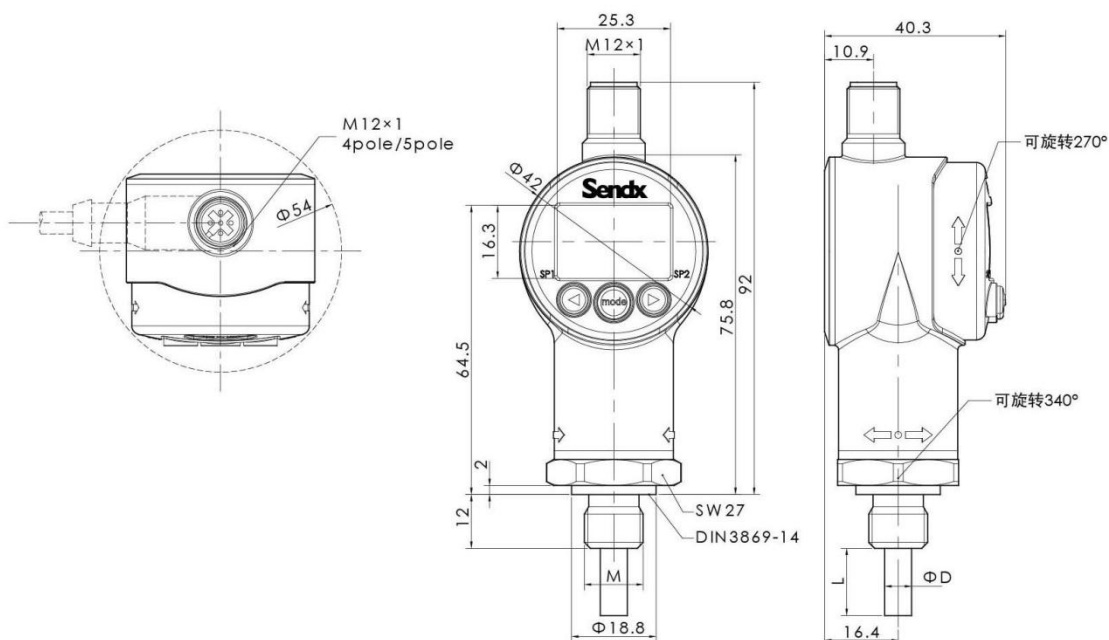
## SDT5400系列

应用于工业、冶金及机械液压领域

- 精度 $\leq 0.02\%$  F.S.
- 4个字符的数字显示，实时显示设定值和当前值，单位可以任选
- 设计紧凑，可随意转动调节，使用方便
- 可任意设置开关量动作
- 可编程
- 电磁兼容性好
- 良好的长期稳定性
- 防护等级IP67



### 外形尺寸图 Dimensions



## 技术参数 Technical Parameter

参数	Specifications	技术指标	Technical Data
<b>输入数据 Input data</b>			
温度范围	Measuring range	-25..+125°C	
探头长度	Probe length	18mm (selectable) max. 800	
耐压性	Pressure resistance	600Bar	
机械连接	Mechanical connection	G1/4 A DIN 3852	Threaded port DIN 3852-G1/4 G1/2 B DIN 3852
锁紧扭力	Torque value	20N.m	20N.m 45N.m
<b>输出数据 Output data</b>			
输出信号	Output signal	Selectable	
开关类型	Type	-1PNP transistor switching output -2PNP transistor switching outputs (only in conjunction with electr.conn.M12×1,4 pole)	
开关方向	Switching direction	N/C/C/O function(according to customer specification)	
输出量	Output load	≤500mA per Switching output	
精度	Accuracy	≤±1.5%F.S typ. ≤± 3.0%F.S max.	
重复精度	Repeatability(at 25°C)	≤±1.0%F.S max.	
开关延迟	Rising switch point and falling switch point delay	32ms standard (8..2000ms pre-set to customer spec.)	
<b>环境条件 Ambient conditions</b>			
环境温度范围	Ambient temperature range	-40..+85°C	
储存温度范围	Storage temperature range	-40..+100°C	
流体温度范围	Fluid temperature range	-40..+125°C	
CE 标记	CE mark	EN 61000-6-1/2/3/4	
耐振动	Vibration resistance to DIN EN 60068-2-6 at 10..500Hz	≤25g	
耐冲击	Shock resistance to DIN EN 60068-2-27	100g/6ms/half sine 500g/1ms/half sine	
防护等级	Protection class to DIN 40050	IP67	
<b>其他数据 Other data</b>			
电气连接	Electrical connection	M12×1 4-pole male M12×1 5-pole male	
电源电压	Supply voltage	24VDC±4VDC	
电压电流残余脉冲	Residual ripple of supply voltage	≤ 5%	
重量	Weight	approx. 150 g	

# 54-系列 温度开关

## 选型表 Model code:

SDT 54 X X - X - X - X - XXX (000)

### 机械连接 Mechanical connection

- 1 = G1/2-B DIN 3852 (male)
- 4 = G1/4-A DIN 3852 (male)
- 5 = G3/8-A DIN 3852 (male)
- 6 = R1/4
- 8 = 1/4-18 NPT
- A = M20×1.5
- B = M12×1
- C = M12×1.5
- D = M14×1.5
- E = 1/8 NPT
- F = R3/8
- G = M10×1
- H = R1/2
- M = 客户定制

### 电气连接 Electrical connection

- 6 = M12x1 4 pole, male (connector not supplied)
- 8 = M12x1 5 pole, male (connector not supplied)

### 输出信号 Output

- 0 = 一路常闭
- 1 = 一路常开
- 2 = 两路开关
- 3 = 一路开关, 一路4~20mA
- 5 = 二路开关, 一路4~20mA

### 操作温度 (°C) Operating temperature in °C

- 1 = -30°C~+130°C
- 2 = -40°C~+130°C
- 3 = -40°C~+150°C
- 4 = -50°C~+150°C
- 9 = 客户定制

### 保护管直径 D (mm) Protective tube diameter D in mm

- 4 = 4 mm
- 5 = 6 mm
- 6 = 8 mm
- 9 = 客户定制

### 内置长度 (mm) Built-in length L in mm

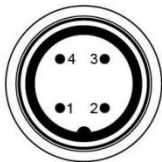
- 005: L=5mm
- 050: L=50mm
- 200: L=200mm
- 800: L=800mm
- L:0~800mm范围内可选

### 其他选型 Other options

- 000 = 标准 (无电缆线)
- 020 = 2m 电缆线 (对应电器连接选项母端电缆线)
- 050 = 5m 电缆线 (对应电器连接选项母端电缆线)

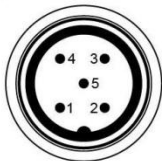
## 接线定义 Pin connections:

M12×1 4-pole male

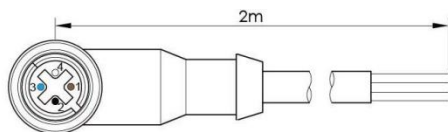


Pin	SDT54X6 -0	SDT54X6 -1	SDT54X6 -2	SDT54X6 -3
1	+24VDC	+24VDC	+24VDC	+24VDC
2	n.c.	n.c.	SP2	4~20mA
3	0V	0V	0V	0V
4	SP1	SP1	SP1	SP1

M12×1 5-pole male

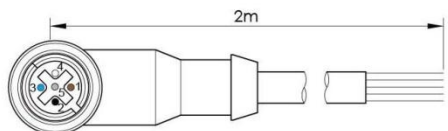


Pin	SDT54X8 -5
1	+24VDC
2	4~20mA
3	0V
4	SP1
5	SP2



Female connector M12×1  
4-pole male, right-angle

- 1号线: 棕色
- 2号线: 白色
- 3号线: 蓝色
- 4号线: 黑色



Female connector M12×1  
5-pole male, right-angle

- 1号线: 棕色
- 2号线: 白色
- 3号线: 蓝色
- 4号线: 黑色
- 5号线: 灰色